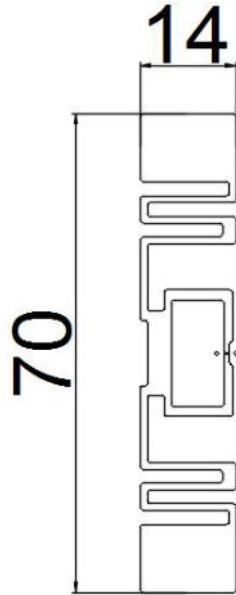




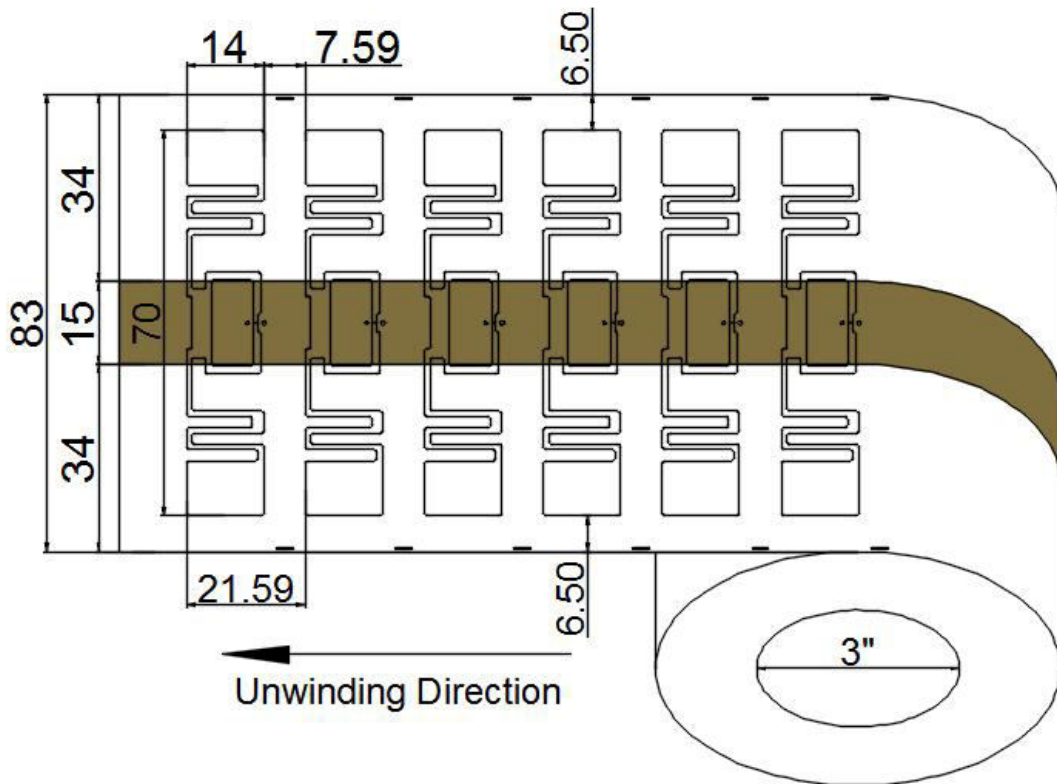
PN/Revision	70x14mm UHF Dry Inlay (31449)	Page
/A0		1 / 4

1. Mechanical Characteristics

1.1 Appearance



1.2 Dimensions



PN/Revision	70x14mm UHF Dry Inlay (31449)	Page
/A0		2 / 4

1.3 Dimensions Deviation

No.	Item	Parameters mm
1	Inlay Length	14±0.20
2	Inlay Width	70±0.20
3	Core ID	3inch(76.20±0.50)
4	Roll OD	≦ 210
5	Antenna to PET (Top)	6.5±1.0
6	Antenna to PET (Bottom)	6.5±1.0
7	Antenna Pitch	21.59±0.5
8	PET Width	83±1.0

2. Electrical Characteristics

Item	Description	Remarks	
Manufacture / Chip	NXP UCODE 9		
Base Material	PET(50um)		
Antenna	Etched Aluminum (10um) + PET (50um)		
Protocol	ISO/IEC 18000-6C EPC Class1 Gen2		
Memory	EPC	96 Bits	Memory
	TID	96 Bits	Read Only
	Password	No Access, 32 Bits Kill	Read & Write
	User	0 Bits	
Frequency	860~960MHz		
Operating Mode	Passive		
IC Life	100,000 Programming cycles, 20years data		
ESD Voltage Immunity	Max 2000V	Human being mode(HBM)	

PN/Revision	70x14mm UHF Dry Inlay (31449)	Page
/A0		3 / 4

3. Environmental Requirement

Operating Temperature/Humidity: - 5 ~ 60°C / 20% ~ 80% RH

Storage Temperature/Humidity: 20 ~ 30°C / 20% ~ 60% RH

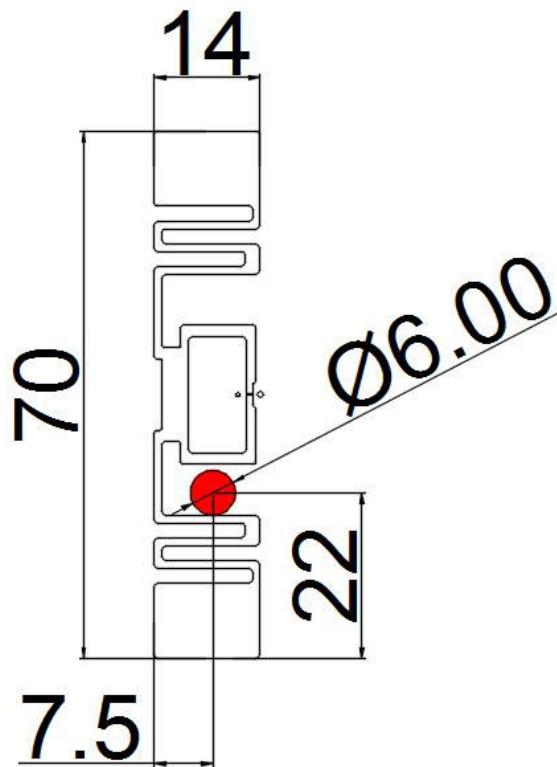
Shelf Life: From the date of manufacture, 1 year at 23±5°C / 50%±10%RH), sealed in the vacuum bag and avoid direct sunlight exposure.

Disclaimer: Our recommendations are based on our latest knowledge and experience. We reserve all rights for final explanation.

4. Handling Precautions

4.1 Inlays with ink marks are bad ones. DO NOT USE.

4.2 The position of the mark is shown as bottom.





PN/Revision	70x14mm UHF Dry Inlay (31449)	Page
/A0		4 / 4

5. Packaging

1	Shipping format	1. Roll 2. Vacuumed packing in ESD bag
2	Quantity	10000±300Pcs/roll
3	Packaging method	4 rolls/ctn (Actual Qty as per Shipping Mark)
4	Packaging pictures	
5	Special requirement	The carton was sealed without gaps

Revision History

Revision History			
Item Number			
Date	Person	Version	Modification
2022.9.24	Chen zhijie	A	First Release