



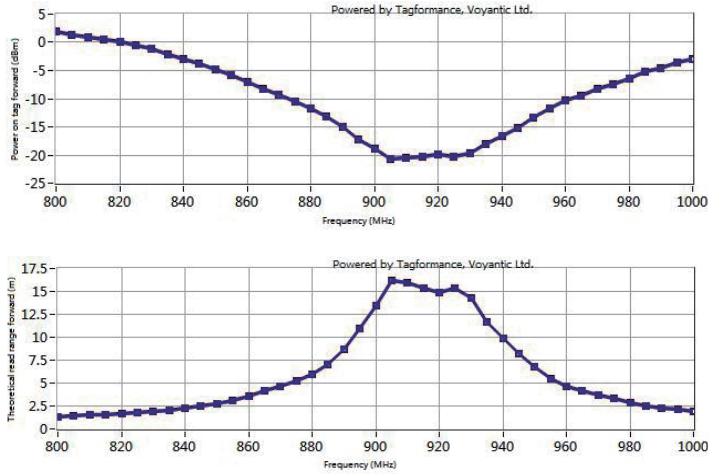
Functional Specifications:

RFID Protocol:	EPC Class1 Gen2, ISO18000-6C
Frequency:	US(902-928MHZ), EU(865-868MHZ)
IC type:	NXP UCODE 8
Memory:	EPC 128bits , USER 0bits, TID 96bits
Write Cycles:	Minimum 100,000 times
Functionality:	Read/write
Data Retention:	Up to 50 Years
Applicable Surface:	Metal Surfaces
Read Range : (Fix Reader)	Up to 11.0m, US (902-928MHZ) Up to 10.0m, EU (865-868MHZ)
Read Range : (Handheld Reader)	Up to 5.5m, US (902-928MHZ) Up to 5.0m, EU (865-868MHZ)
Warranty:	1 Year

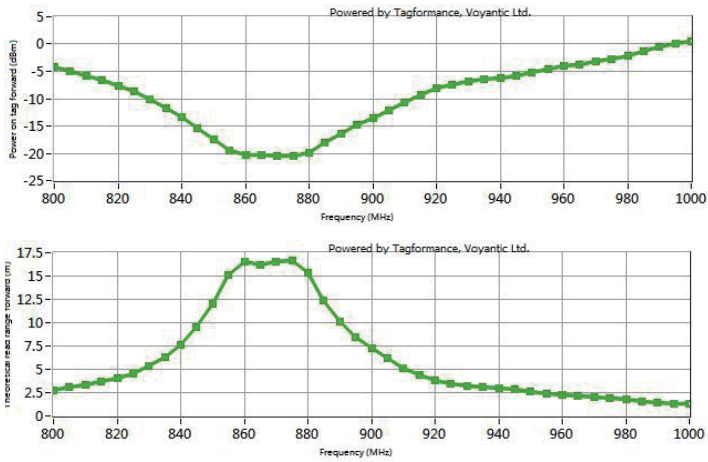
Physical Specification:

Size:	69.0x23.0mm, Hole: D5.2mmx2
Thickness:	7.0mm
Material:	ABS+PC
Colour:	White(Or Others)
Mounting Methods:	Adhesive, Screw, binding
Weight:	10.8g

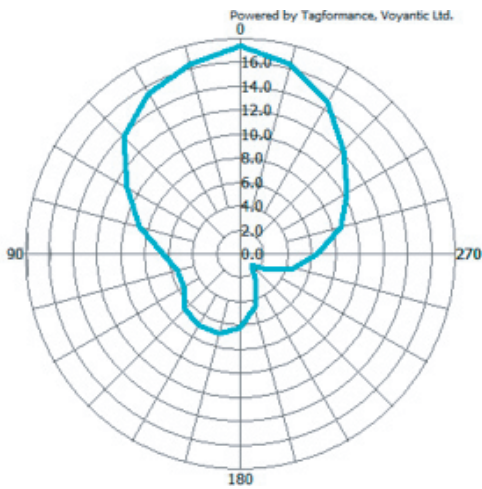
OPP069U1:



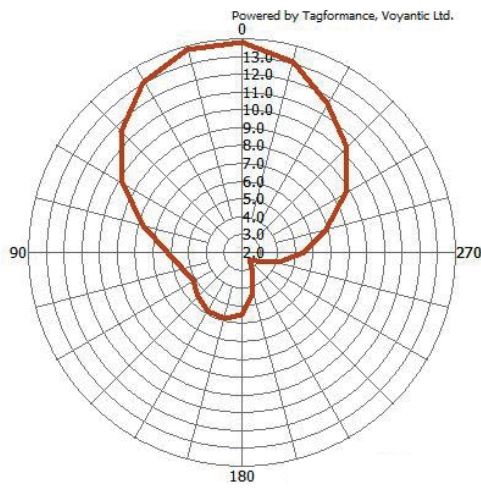
OPP069E1:



Radiation pattern:

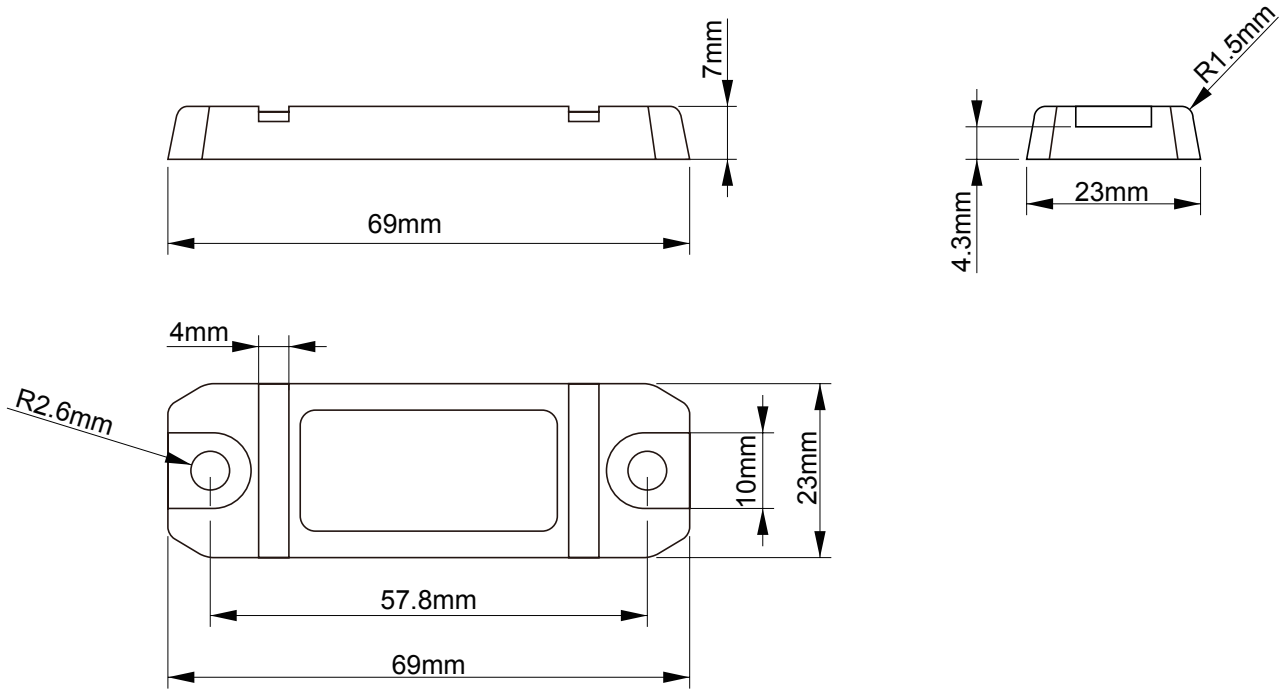


US(902-928MHZ)



EU(865-868MHZ)

Dimensions:



Environmental Specification:

IP Rating:	IP68
Storage Temperature:	-40°C to +85°C
Operation Temperature:	-25°C to +85°C
Certifications:	Reach Approved, RoHS Approved, CE Approved.