



Flexible & Printable UHF On-metal Label

This flexible label can be stuck on metallic asset easily, specially for irregular and uneven surface, it has good performance on metal surface, can be print and encoding by RFID printer.

Physical Features:

Model:	RCO7011
Material:	PET/Aluminum Foil/Foam
Dimensions:	60x25x1mm(LxWxT)
Working Temp:	-40~+85°C
Survive Temp:	-40~+120°C
IP Rating:	IP68, test for 5 hours at 1m deep water

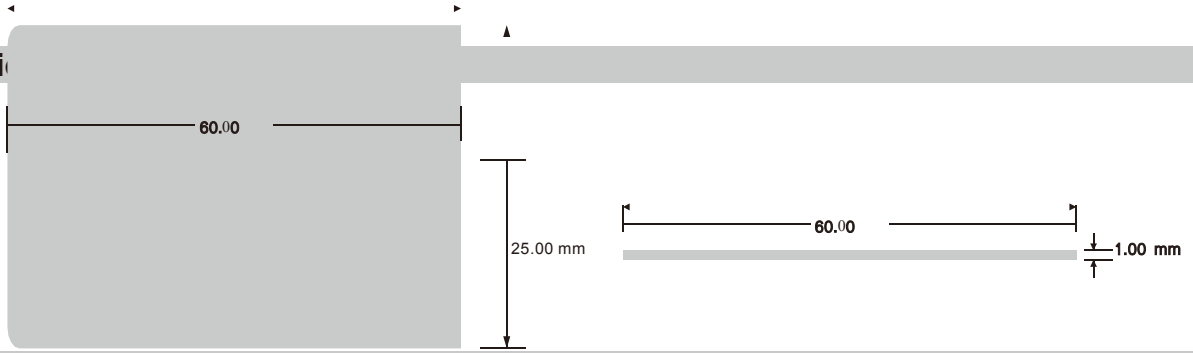
RFID Features:

RFID Standard:	EPC C1G2 (ISO18000-6C)
Chip Type:	Impinj Monza R6-P
EPC Memory:	128(96)bits
User Memory:	32(64) bits
Read Range(2W ERP FCC):	8m, On metal
Read Range(2W ERP ETSI):	5m, On metal

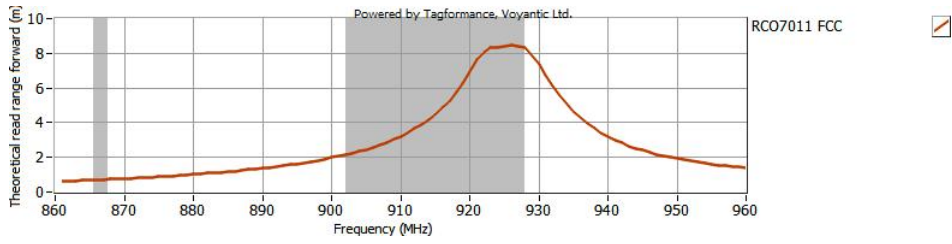
Other Features:

Data Storage:	> 10 years
Re-write:	100,000 times
Installation:	Adhesive
Support Printer:	SATO CL4NX, Zebra ZT410 Silverline, Postek TX3r, etc.
Customization:	Logo, barcode/QR code, number printing, encoding, antenna design, etc.
Package:	Reel core inner dimension: 76.2mm/ 3", 500pcs/roll.
Application:	Metallic container tracking Equipment&device tracking Warehouse shelf Automotive components tracking IT asset tracking, etc.

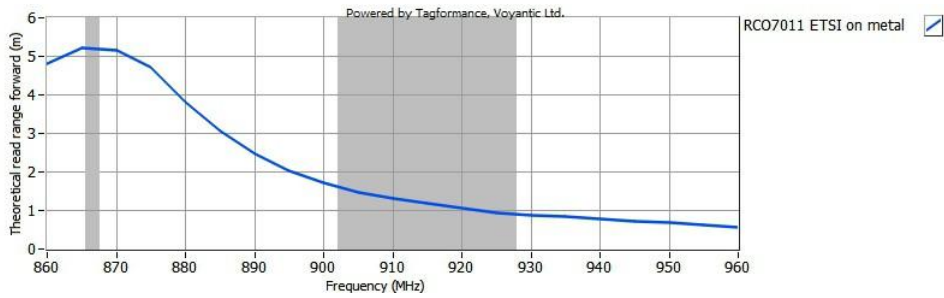
Dimensions



Read Range FCC:



Read Range ETSI :



Application:

